

RF Series

SPECIFICATIONS

Operating frequency(electrical):

10~30 Operation / mim

Contact resistance:

50m Ω (max)

Insulation resistance(at 500 VDC)

100M Ω (Min)

Service life(electrical)

Min. 10,000 Operations

RATING

12A 125/250VAC, 12(4)A 250VAC

APPLICATION

Juice Maker,Blender,Food Processor

ORDER INFORMATION

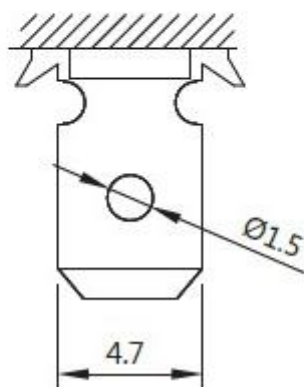
R	F	-	1	2	-	S	-	D	-	B	-	R	-	2	-	0	-	Z
SERIES PREFIX	C O D E	RATING CURRENT	C O D E	OPERATING FORCE	C O D E	TERMINAL TYPE	C O D E	CASE COLOR	C O D E	ACTUATOR COLOR	C O D E	CIRCUIT ARRANGEMENT	C O D E	ACTUATOR MARKING	ROHS CODE			
	12	12A 125/250VAC 12(4)A 250VAC	S	Max.700gf	A	SOLDER TERMINAL	B	BLACK	B	BLACK	1	SPST	0	NO MARKING				
					D	187 SERIES	W	WHITE	R	RED	2	SPDT	1	•				
									P	PURPLE	3	SPST 250VAC WITH NEON LAMP (ONLY FOR RED ACTUATOR)	2	•				
											4	SPST 125VAC WITH NEON LAMP (ONLY FOR RED ACTUATOR)	3	L H				
													4	ON OFF				

TERMINAL TYPES

D TYPE

t=0.8

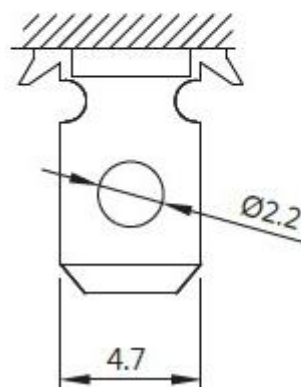
#187 Terminal



A TYPE

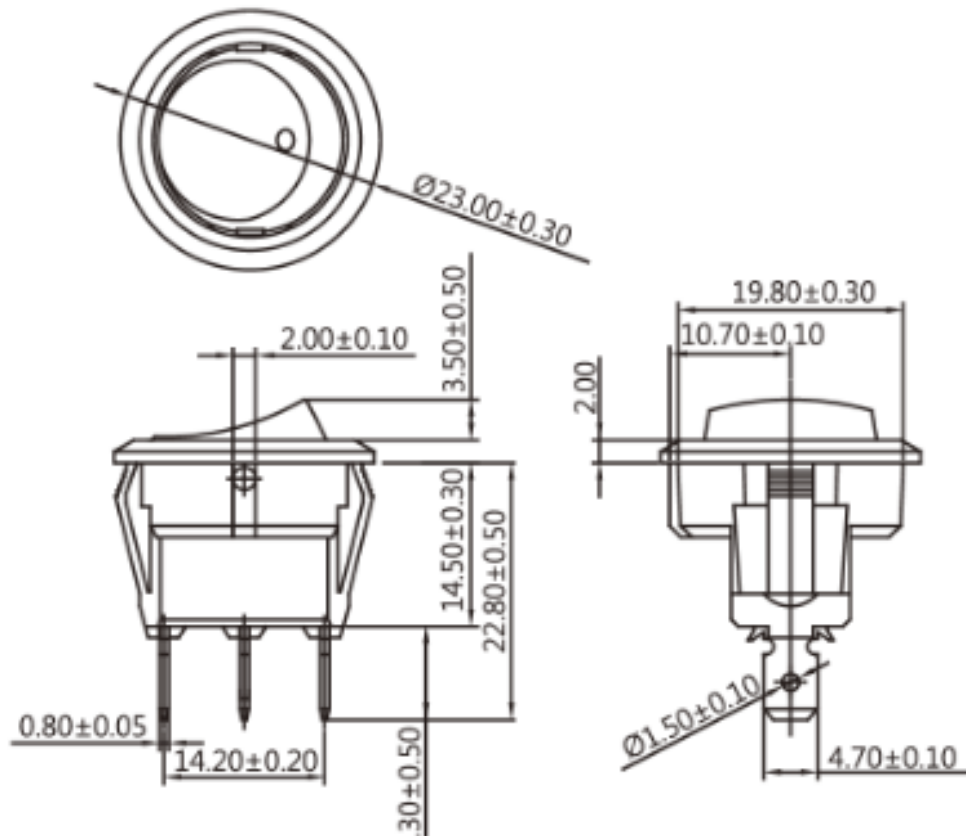
t=0.8

Solder Terminal



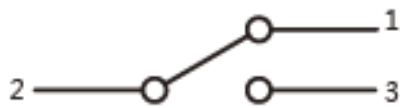
DIMENSIONS

Unless otherwise specified, a tolerance of $\pm 0.4\text{mm}$ applies to all dimensions.



CONTACT CONFIGURATION

SPDT



SPST

